

DrayTek

Vigor120

ADSL2/2+ Modem



Quick Start Guide

Vigor 120

ADSL2+ Ethernet Modem

Quick Start Guide

Version: 1.3U

Date: 04/03/2010

Warranty

We warrant to the original end user (purchaser) that the modem will be free from any defects in workmanship or materials for a period of one (1) year from the date of purchase from the dealer. Please keep your purchase receipt in a safe place as it serves as proof of date of purchase. During the warranty period, and upon proof of purchase, should the product have indications of failure due to faulty workmanship and/or materials, we will, at our discretion, repair or replace the defective products or components, without charge for either parts or labor, to whatever extent we deem necessary to restore the product to proper operating condition. Any replacement will consist of a new or re-manufactured functionally equivalent product of equal value, and will be offered solely at our discretion. This warranty will not apply if the product is modified, misused, tampered with, damaged by an act of God, or subjected to abnormal working conditions. The warranty does not cover the bundled or licensed software of other vendors. Defects which do not significantly affect the usability of the product will not be covered by the warranty. We reserve the right to revise the manual and online documentation and to make changes from time to time in the contents hereof without obligation to notify any person of such revision or changes.

European Community Declarations

Manufacturer: DrayTek Corp.
Address: No. 26, Fu Shing Road, HuKou Township, HsinChu Industrial Park, Hsin-Chu, Taiwan 303
Product: Vigor120

DrayTek Corp. declares that Vigor120 is in compliance with the following essential requirements and other relevant provisions of R&TTE Directive 1999/5/EEC.

The product conforms to the requirements of Electro-Magnetic Compatibility (EMC) Directive 2004/108/EC by complying with the requirements set forth in EN55022/Class B and EN55024/Class B.

The product conforms to the requirements of Low Voltage (LVD) Directive 2006/95/EC by complying with the requirements set forth in EN60950-1.

Federal Communication Commission Interference Statement

This equipment has been tested and found to comply with the limits for a Class B digital device, pursuant to Part 15 of the FCC Rules. These limits are designed to provide reasonable protection against harmful interference in a residential installation. This equipment generates, uses and can radiate radio frequency energy and, if not installed and used in accordance with the instructions, may cause harmful interference to radio communications. However, there is no guarantee that interference will not occur in a particular installation. If this equipment does cause harmful interference to radio or television reception, which can be determined by turning the equipment off and on, the user is encouraged to try to correct the interference by one of the following measures:

- I Reorient or relocate the receiving antenna.
- I Increase the separation between the equipment and receiver.
- I Connect the equipment into an outlet on a circuit different from that to which the receiver is connected.
- I Consult the dealer or an experienced radio/TV technician for help.

This device complies with Part 15 of the FCC Rules. Operation is subject to the following two conditions:

- (1) This device may not cause harmful interference, and
- (2) This device may accept any interference received, including interference that may cause undesired operation.

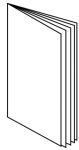
This product is designed for the DSL network throughout the EC region and Switzerland.



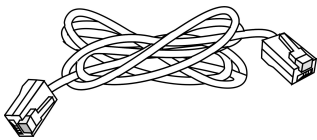
Introduction

Congratulations on your purchase of a DrayTek Vigor 120 ADSL2+ Modem. The Vigor120 is a unique product – a true ADSL to Ethernet bridge modem, intended to pass your ADSL Internet connection directly through to a host device (router, PC, games console etc.) without interruption or changing of the data (e.g. NAT). The Vigor 120 is simple to install, being pre-configured for most ISPs.

Ⓜ Package Contents



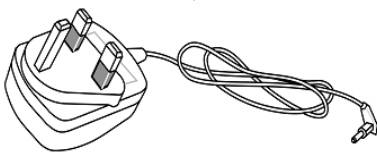
Quick Start Guide



RJ-45 Cable (Ethernet)



RJ-11 to RJ-11 Cable (ADSL)

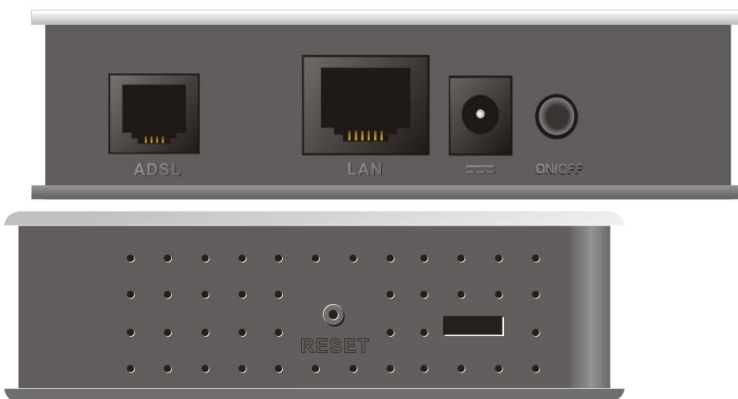



Mains Power adapter

● Descriptions of Components



LED	Status	Explanation
Power	On	The modem is powered on.
	Off	The modem is powered off.
ACT	Off	The system is not ready or is failed.
	Blinking	The system is ready and can work normally.
LAN	On	A normal connection is through its corresponding port.
	Off	LAN is disconnected.
	Blinking	Data is transmitting (sending/receiving).
DSL	On	DSL connection synchronized.
	Blinking	DSL connection is synchronizing.



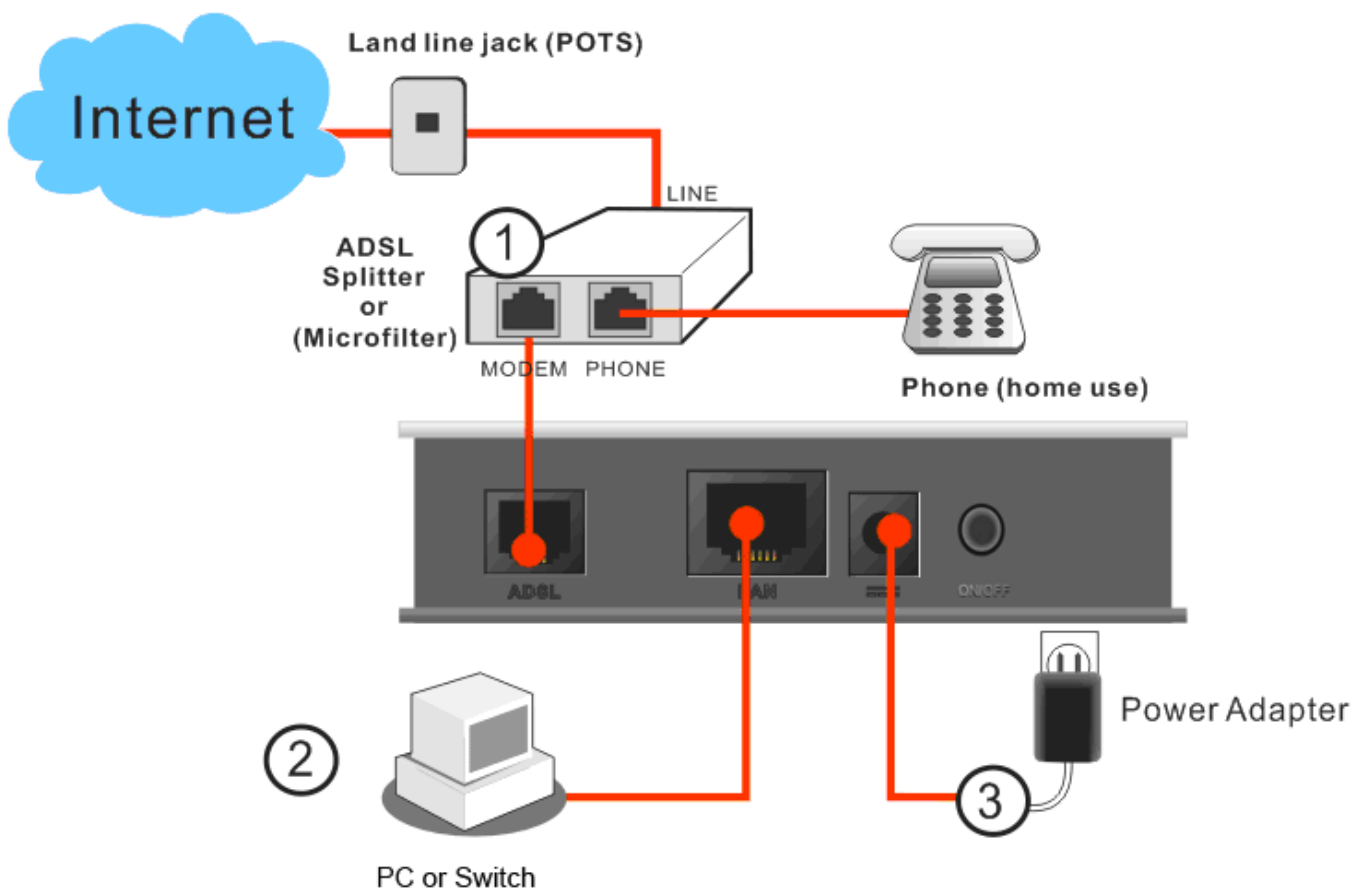
Interface	Description
ADSL	Connector for accessing the Internet through ADSL 2+.
LAN	Connector for local networked devices.
	Connector for a power adapter. ON/OFF: Power switch.
RESET	Restore the default settings. Usage: Turn on the router. Press the button and keep for more than 10 seconds. Then the router will restart with the factory default configuration.

Z Installing Your Modem

The DrayTek **Vigor 120** is an ADSL modem with an Ethernet connection; it is not a router but a true ADSL Ethernet Modem. By providing a PPPoE to PPPoA Bridge, the connected device (firewall, router or PC) can log into the Internet (your ISP) directly and have full control over the ADSL connection.

This section will guide you on how to install the modem for Physical connectivity.

1. Connect the DSL interface to the MODEM port of external ADSL splitter with an ADSL line cable.
2. Connect the LAN port to your host device (PC, router etc.) with the supplied RJ-45 ethernet cable.
3. Connect the power adapter to the power port of the Vigor120. Connect the other end to the mains wall outlet.
4. Turn on the Vigor120
5. Check the **POWER, ACT, LAN and DSL** LEDs to confirm network connections.



● Basic Configuration

By default the DrayTek Vigor 120 is configured as a bridge between PPPoE and PPPoA. This is the correct settings for most ISPs.

The PPPoA protocol is used for your connection from the Vigor120 to the ISP. PPPoE is used locally between the Vigor120 modem and your host device (router, PC etc.).

The network device (Firewall, broadband router or a PC) behind the Vigor 120 is required to be configured as either PPPoE or as a Static/Dynamic IP address client in order to establish Internet connectivity.

PPPoA Configuration:

As a PPPoE -> PPPoA bridge modem, it is not necessary to access the web interface of the Vigor 120 unless your ISP does not use the most common ADSL methods (PPPoA and 0/38 as VPI/VCI).

1. Set up physical connectivity as explained in section 3.
2. Configure the network device (Firewall, broadband router or a PC) behind the Vigor 120 for PPPoE with the ISP Username and Password. There are more guides to this with some specific router examples on the support web site (see later).

MPoA Configuration (only for ISPs that require it):

When connecting the Modem to an MPoA line you will need to log on to the web interface of the unit to make suitable changes:

1. Open a web browser on your PC and type **<http://192.168.2.1>**.
2. Now, the web interface main screen will appear:

Vigor120
ADSL2/2+ Modem

DrayTek
www.draytek.com

System Status

Model Name : Vigor120 series
 Firmware Version : 3.2.2_RC4
 Build Date/Time : Feb 16 2009 11:01:49
 ADSL Firmware Version : 310811_A Annex A

LAN		WAN 1	
MAC Address	: 00-50-7F-37-CD-F7	Link Status	: Disconnected
1st IP Address	: 192.168.2.1	MAC Address	: 00-50-7F-37-CD-F8
1st Subnet Mask	: 255.255.255.0	Connection	: PPPoA
DHCP Server	: Yes	IP Address	: ---
DNS	: 194.109.6.66	Default Gateway	: ---

Online Status
 Internet Access
 LAN
 System Maintenance

All Rights Reserved.

1. Click on **Internet Access**>>**MPoA**



2. **Enable MPoA** and configure this page as below :

Internet Access >> MPoA (RFC1483/2684)

MPoA (RFC1483/2684) Mode

MPoA (RFC1483/2684) Enable Disable

DSL Modem Settings

Encapsulation: 1483 Bridged IP LLC

VPI: 0

VCI: 101

Modulation: Multimode

Bridge Mode

Enable Bridge Mode

MAC Address Setting

Default MAC Address
 Specify a MAC Address

MAC Address: 00 . 50 . 7F . 37 . E5 . 1C

OK

3. Click OK
4. Now configure the broadband Router/PC according to your connection type i.e. in static IP address or Dynamic IP address mode.

Note : If your ISP uses other values for VPI/VCI, then set appropriately.

● **Technical Support**

If you are in the UK/Ireland and need further assistance with configuration or troubleshooting of your Vigor 120, please visit:

www.support.draytek.co.uk

For support outside of the UK/Ireland, please visit www.draytek.com or your local distributor instead.

Don't forget to check out the complete DrayTek range of routers, firewall, VoIP products and IP PBXs at

www.draytek.co.uk