



# LevelOne

## WHG-1000

300Mbps Wireless PoE Hotspot Gateway

---

---

### ***Quick Installation Guide***

---

---

English

Deutsch

# Table of Contents

English.....	3
Deutsch .....	13

## Default Settings

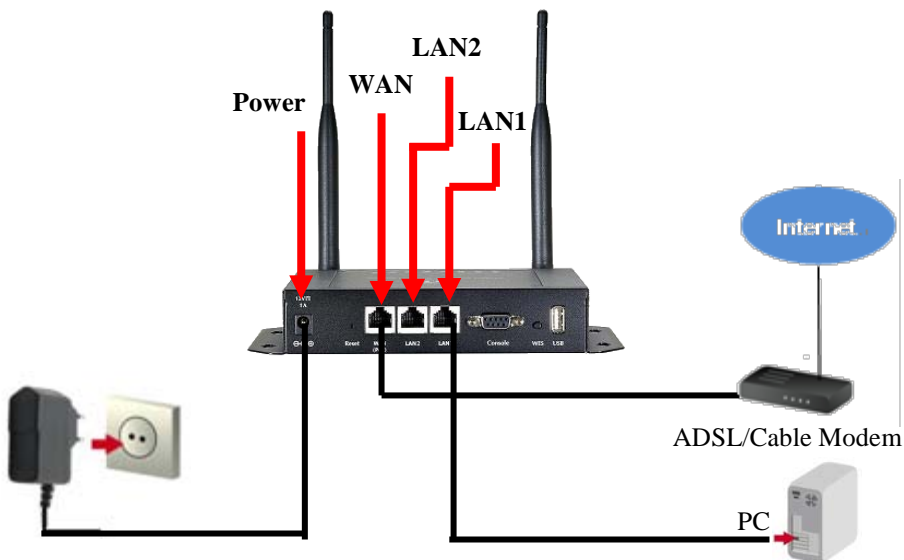
<b>IP Address-LAN1</b>	<b>192.168.1.254</b>
<b>IP Address-LAN2</b>	<b>192.168.11.254</b>
<b>Username</b>	<b>admin</b>
<b>Password</b>	<b>admin</b>
<b>Wireless Mode</b>	<b>Enable</b>
<b>Wireless Private SSID</b>	<b>LevelOne1</b>
<b>Wireless Public SSID</b>	<b>LevelOne2</b>
<b>Security</b>	<b>None</b>

This guide covers only the most common situations. All detailed information is described in the user manual.

# English

## Installation

1. Connect your ADSL/Cable modem's internet line to WHG-1000's WAN port.
2. Connect your PC to WHG-1000's LAN1 port, The LAN1 LED indicator should be ON.
3. Plug-in the Power Adapter.

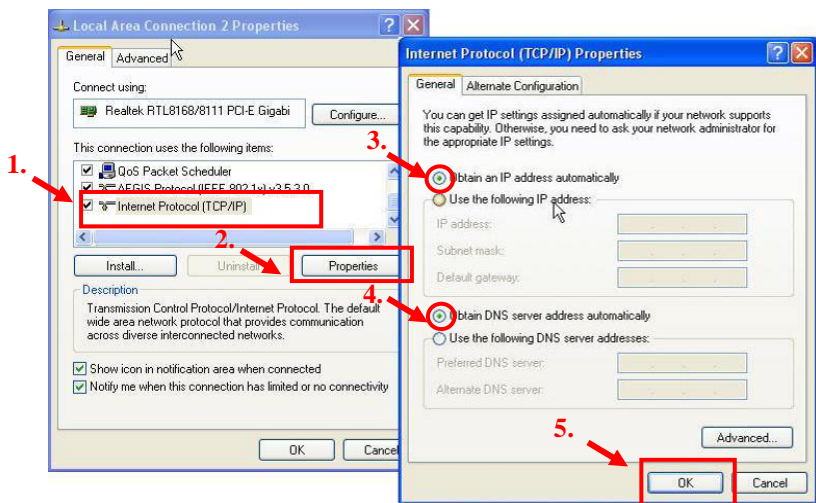


### Note:

WHG-1000 has two virtual zones **Private** and **Public** which are mapped to LAN1(192.168.1.254) and LAN2(192.168.11.254) respectively.

## Check Your Network Settings

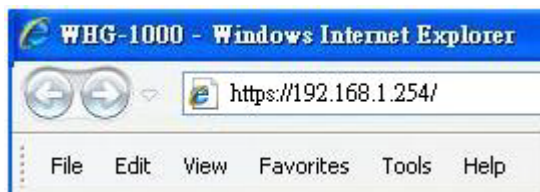
1. Please make sure your PC can get IP address automatically so the WHG-1000 can communicate with your PC during configuration.
  - Select “Control Panel” > “Network Connections”.
  - Right click the “Local Area Connection” and choose “Properties”.
  - Select the TCP/IP protocol for your network card.
  - Click on the Properties button. You should then see the following screen and make sure you have selected “Obtain IP address automatically”



2. Reboot computer to make sure you have received the IP address correctly from the Router.

Steps:

1. Launch a web browser to access the web management interface of WHG-1000 by entering “**https://192.168.1.254**” or “**http://192.168.1.254**” in the address field.



2. The following Administrator Login Page will then appear. Enter “**admin**” (the default value) in the *Username* and *Password* fields, and then click **Login** to log in.



3. The **Home Page** will appear after a successful login.



4. Click on the **Setup Wizard** button to start the configuration process.



- Configure the Administrator's password, Time settings, and Portal URL settings, then click Next to continue.

The screenshot shows the LevelOne Setup Wizard interface. At the top right, there are links for 'Home' and 'Logout'. The LevelOne logo is on the top left. The main heading is 'Setup Wizard'. On the left side, there is a vertical navigation pane with buttons for 'Step 1', 'Step 2', 'Step 3', 'Step 4', and 'Exit'. The 'Step 1' button is highlighted in orange. Below the 'Step 1' button, there is a note: 'It is recommended to change administrator's password, and select an appropriate time zone and NTP server for the system.' The main content area is titled 'Step 1. General' and contains the following configuration fields:

- Administrator's Password:** Two input fields for 'New Password' and 'Verify Password', both containing six dots and marked with an asterisk.
- Time:** A 'Time Zone' dropdown menu set to '(GMT)Greenwich Mean Time: Dublin, Lisbon, London' and an 'NTP Server' input field containing 'tock.usno.navy.mil' with a red asterisk and a note '(e.g. tock.usno.navy.mil)'.
- Portal URL:** A 'Status' section with 'Enable' selected (radio button) and 'Disable' unselected. Below it is a 'URL' input field containing 'http://www.level1.com/' with a red asterisk.

A yellow 'Next' button is located at the bottom right of the configuration area.

- Select a proper type of Internet connection for WAN interface from the following connections: **Static**, **Dynamic**, or **PPPoE**. Your ISP or network administrator can advise on the connection type available to you.

## Setup Wizard

Step 1

**Step 2**

Step 3

Step 4

Exit

### Step 2. WAN and Wireless Interfaces

Interface:  WAN  Wireless

Static (Use the following IP settings)  
 Dynamic (IP settings assigned automatically)  
 PPPoE

Select a connection type for WAN interface and configure related setting. In addition, Band, Channel, and ESSID of wireless interface can be configured in this step of Setup Wizard as well.

- Click **Wireless** radio button and select desired wireless **Band**, **Channel**, and **ESSID**, click next to continue.



## Setup Wizard

Step 1

**Step 2**

Step 3

Step 4

Exit

### Step 2. WAN and Wireless Interfaces

Interface:  WAN  Wireless

Band: 802.11b+g

Channel: 6

ESSID (Public): LevelOne2



8. Configure the **Authentication settings, Local Authentication settings**, and **Local User Account** settings.

The screenshot shows the LevelOne Setup Wizard interface. At the top left is the LevelOne logo. At the top right are links for Home and Logout. The main heading is "Setup Wizard". On the left side, there are four step buttons: Step 1, Step 2, Step 3 (highlighted in orange), and Step 4. Below Step 3 is a note: "You can choose an authentication option as default or disable authentication." Below Step 4 is an "Exit" button. The main content area is titled "Step 3. Authentication Settings for Public Zone". It contains the following settings:

- Auth Required:  Enable  Disable
- Default Auth Server: Server 1 (LOCAL) (dropdown menu)
- Local Authentication Settings**
  - Postfix: local (text input)
  - Policy: Policy 1 (dropdown menu)
- Add a Local User Account (Optional)**
  - Username: (text input)
  - Password: (text input)

At the bottom of the main content area are "Back" and "Next" buttons.

9. Enter the **Username** (e.g. "testuser") and **Password** (e.g. "testuser") to create a new local account, click **Next** to continue.

## Setup Wizard

Step 1

Step 2

Step 3

Step 4

Exit

You can choose an authentication option as default or disable authentication.

### Step 3. Authentication Settings for Public Zone

Auth Required:  Enable  Disable

Default Auth Server:

**Local Authentication Settings**

Postfix:

Policy:

**Add a Local User Account (Optional)**

Username:

Password:

Back
Next

10. Click **Finish** to save current settings and restart the system.

## Setup Wizard

Step 1

Step 2

Step 3

Step 4

Press "Finish" button to confirm the settings and restart the system.

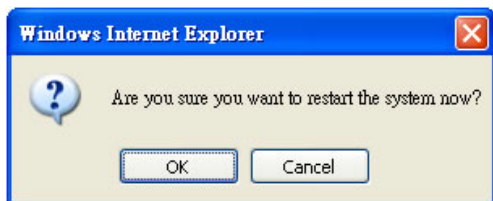
Exit

### Step 4. Confirm and Restart

Please press Finish button and restart the system.

Back
Finish

11. A confirmation dialog box will appear. Click **OK** to continue.



12. A **Confirm and Restart** message will appear on the screen.

Please do not interrupt the system until the Administrator Login Page appears.



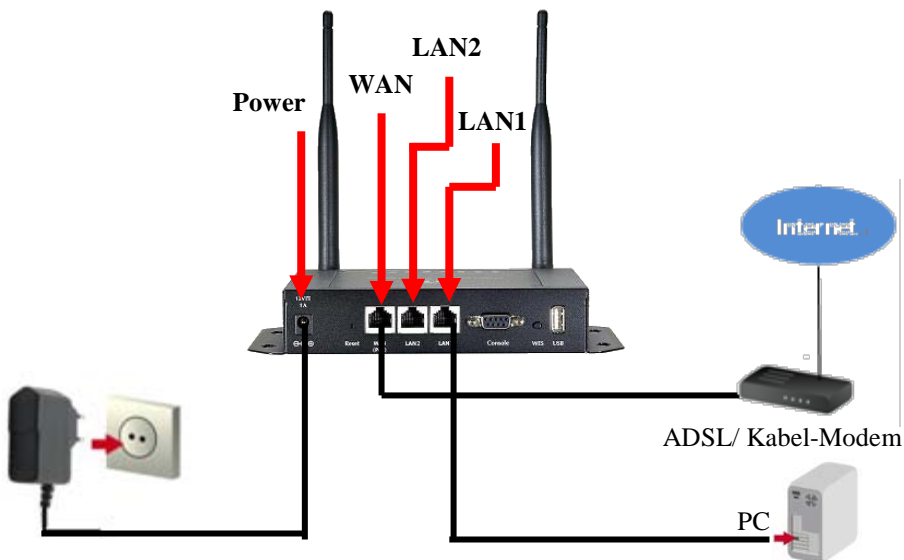
13. When the following Administrator Login Page appears, it means the restart process is now completed.



# Deutsch

## Installation

1. Schließen Sie Ihr ADSL/ Kabelmodem an WAN-Port des WHG-1000 an.
2. Verbinden Sie Ihren PC mit dem LAN Port 1 vom WHG-1000. Die LAN1 LED sollte aktiviert sein.
3. Schließen Sie das Netzteil an.

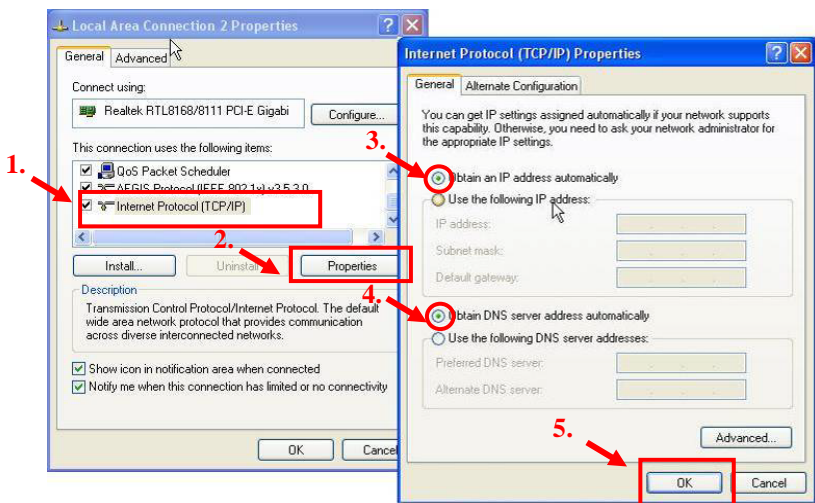


### Hinweis:

WHG-1000 hat eine private und eine öffentliche Zone, die an LAN1 (192.168.1.254) und LAN2 (192.168.11.254) gebunden sind.

Überprüfen Sie Ihre Netzwerkeinstellungen:

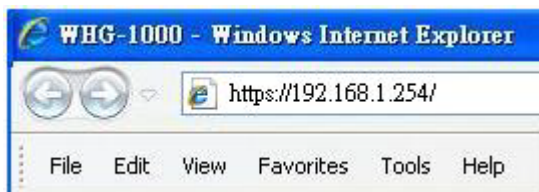
1. Stellen Sie sicher, dass Ihr PC automatisch eine IP Adresse vom WHG-1000 bezieht.
2. Rufen Sie die Systemsteuerung aus und wählen Sie "Netzwerkverbindungen".
  - Klicken Sie auf Local Area Connection und wählen Sie "Einstellungen".
  - Wählen Sie das TCP/IP Protokoll aus.
  - Klicken Sie auf "Einstellungen". Sie sollten den Hinweis markiert sehen, dass eine IP Adresse automatisch bezogen wird.



3. Starten Sie den Computer neu, um sicherzustellen, dass Ihr Rechner eine IP Adresse vom WHG-1000 bezieht.

Schritte:

1. Rufen Sie Ihren Webbrowser auf und geben Sie in das Adressenfeld `https://192.168.1.254` oder `http://192.168.1.254` ein.



2. Ein Administrator-Login erscheint. Geben Sie als Benutzername und als Passwort jeweils "admin" ein und klicken Sie anschließend auf "Login".



3. Nach erfolgreichem Login erscheint die Konfigurationsoberfläche des WHG-1000.



4. Klicken Sie auf den Setup Wizard Button, um den Konfigurationsprozess zu starten.





5. Konfigurieren Sie die Administrationszugangsdaten, Zeiteinstellungen, URL Einstellungen und klicken Sie auf "Fortfahren".

Home Logout

# levelone

## Setup Wizard

**Step 1**

It is recommended to change administrator's password, and select an appropriate time zone and NTP server for the system.

Step 2

Step 3

Step 4

Exit

### Step 1. General

#### Administrator's Password

New Password:

Verify Password:

#### Time

Time Zone:

NTP Server:  \*(e.g. tock.usno.navy.mil)

#### Portal URL

Status:  Enable  Disable

URL:

Next

6. Wählen Sie Ihr WAN Interface aus: **Statisch**, **Dynamisch** oder **PPPoE**.

Ihr ISP oder Netzwerkadministrator kann Ihnen die richtige Option nennen.

## Setup Wizard

**Step 1**

**Step 2**

Select a connection type for WAN interface and configure related setting. In addition, Band, Channel, and ESSID of wireless interface can be configured in this step of Setup Wizard as well.

**Step 3**

**Step 4**

**Exit**

### Step 2. WAN and Wireless Interfaces

Interface:  WAN  Wireless

Static (Use the following IP settings)

Dynamic (IP settings assigned automatically)

PPPoE

7. Klicken Sie den "Wireless" Button und wählen Sie das gewünschte Band, den Kanal und die ESSID aus. Klicken Sie danach auf Fortfahren.



## Setup Wizard

**Step 1**

**Step 2**

Select a connection type for WAN interface and configure related setting. In addition, Band, Channel, and ESSID of wireless interface can be configured in this step of Setup Wizard as well.

**Step 3**

**Step 4**

**Exit**

### Step 2. WAN and Wireless Interfaces

Interface:  WAN  Wireless

Band: 802.11b+g

Channel: 6

ESSID (Public): LevelOne2

8. Konfigurieren Sie die Authentifizierungseinstellungen, die lokalen Authentifizierungseinstellungen und die lokalen Benutzerkonten.

The screenshot shows the LevelOne Setup Wizard interface. At the top left is the LevelOne logo. At the top right are links for Home and Logout. The main heading is "Setup Wizard". On the left side, there is a vertical navigation pane with four steps: Step 1, Step 2, Step 3 (highlighted in orange), and Step 4. Below the steps is an "Exit" button. The main content area is titled "Step 3. Authentication Settings for Public Zone". It contains the following settings:

- Auth Required:  Enable  Disable
- Default Auth Server: Server 1 (LOCAL) (dropdown menu)
- Local Authentication Settings:
  - Postfix: local (text input)
  - Policy: Policy 1 (dropdown menu)
- Add a Local User Account (Optional):
  - Username: (text input)
  - Password: (text input)

At the bottom of the main content area are "Back" and "Next" buttons.

9. Geben Sie den Benutzernamen (z.B. **testuser**) und das Passwort ein (z.B. **testuser**), um einen neuen lokalen Account einzurichten. Klicken Sie auf weiter.

## Setup Wizard

Step 1

Step 2

Step 3

Step 4

Exit

You can choose an authentication option as default or disable authentication.

### Step 3. Authentication Settings for Public Zone

Auth Required:  Enable  Disable

Default Auth Server:

**Local Authentication Settings**

Postfix:

Policy:

**Add a Local User Account (Optional)**

Username:

Password:

Back
Next

10. Klicken Sie "Abschließen", um alle Einstellungen zu speichern und das System neu zu starten.

## Setup Wizard

Step 1

Step 2

Step 3

Step 4

Press "Finish" button to confirm the settings and restart the system.

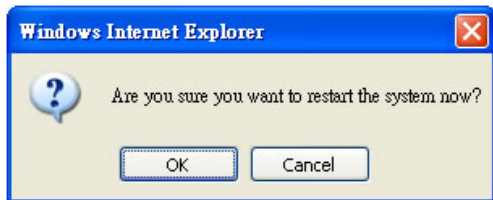
Exit

### Step 4. Confirm and Restart

Please press Finish button and restart the system.

Back
Finish

11. Ein Bestätigungsfenster wird angezeigt. Klicken Sie auf **OK**.



12. Eine Bestätigungs- und Neustart Nachricht wird angezeigt.  
Unterbrechen Sie diesen Prozess bitte nicht, bevor der Administrator Login erscheint.



13. Wenn die Administrator Login Seite angezeigt wird, ist der Neustart erfolgreich abgeschlossen.

